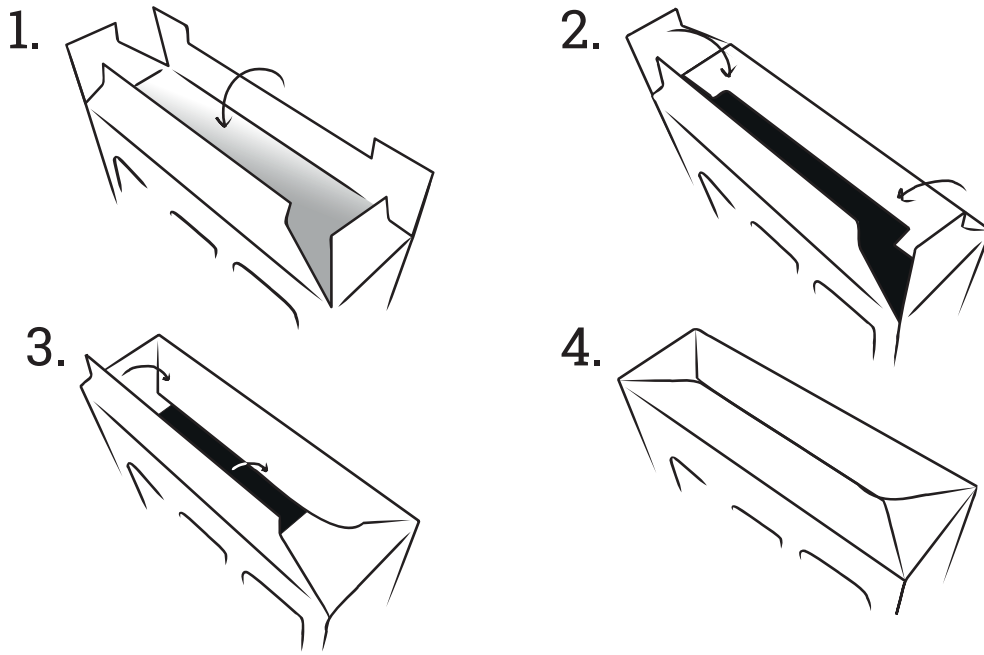
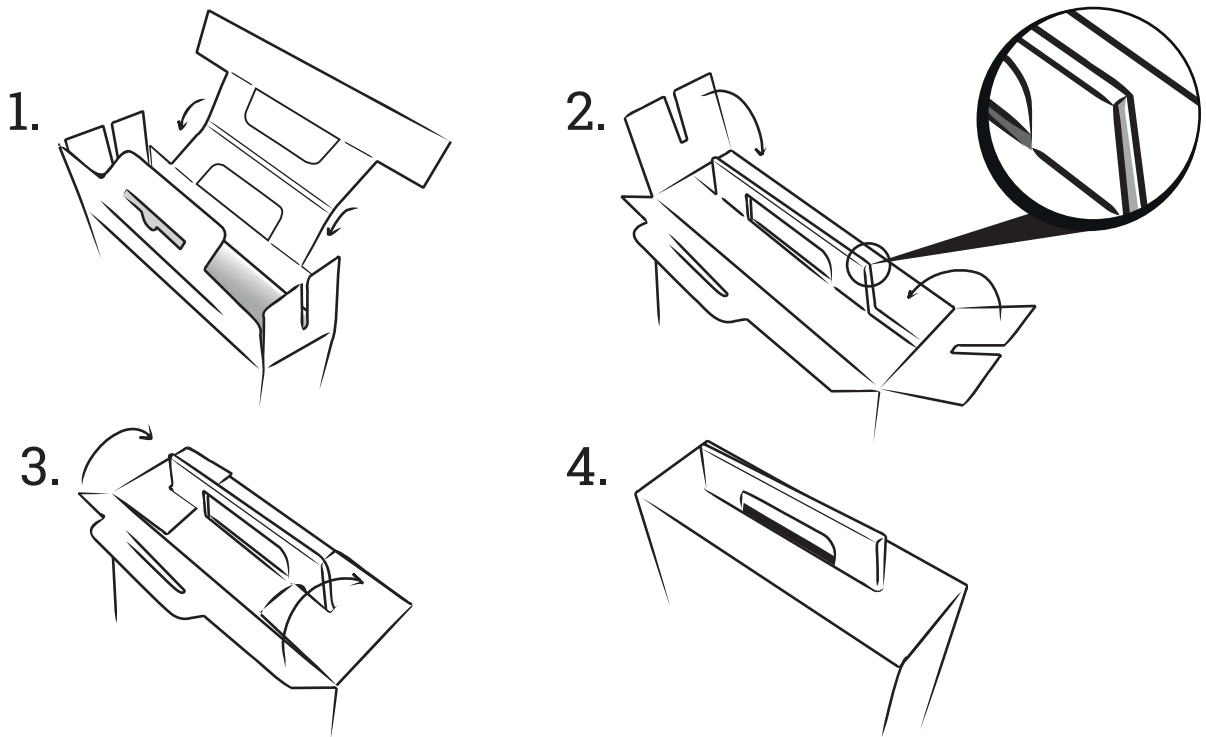


Gift Box Folding Instructions

Bottom



Top



Additional spacers - supplied with 4x bottle boxes and larger.

